

IQ DIMMER QUICK INSTALL GUIDE



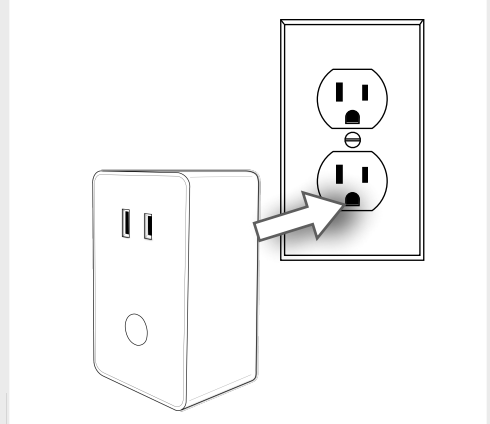
STEP 1 LOCATE OUTLET NEAR PANEL



PLEASE NOTE:
PAIRING THE IQ DIMMER NEAR THE IQ PANEL IS FOR CONVENIENCE ONLY.

ONCE IQ DIMMER HAS BEEN SUCCESSFULLY PAIRED IT CAN BE MOVED ANYWHERE WITHIN ACCEPTABLE RANGE (APPROX 100 FEET OPEN AIR)

STEP 2 PLUG INTO OUTLET



STEP 3 PAIR WITH PANEL

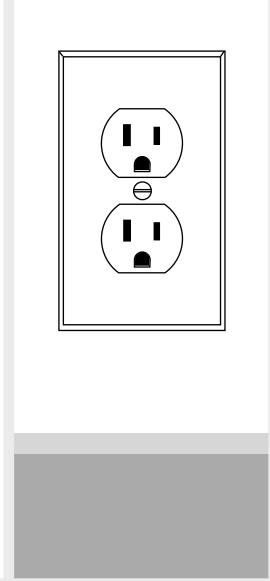
Place your panel in "autolearn" mode

Plug in and press the button to "tamper" the device

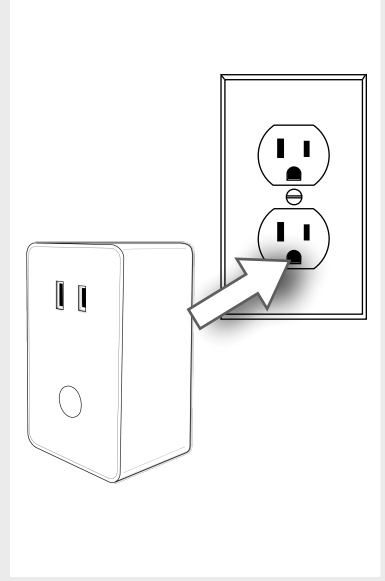
ADD

Customize name and settings as desired and touch "ADD"

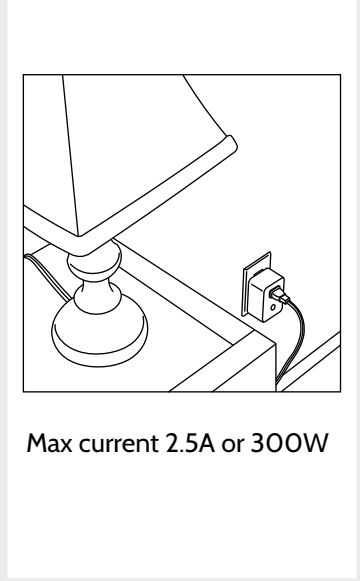
STEP 4 LOCATE DESIRED OUTLET



STEP 5 PLUG IN SMART SOCKET



STEP 6 PLUG DEVICE IN



DOCUMENT INFORMATION

Document#: IQSS-QG-03-17
Revision#: 03222017
Issue Date: MAR 2017
Qolsys Part #: QZ2410-840

FCC ID: 2ABWCPD100
IC: 11786A-PD100
Qolsys Inc. proprietary.

Reproduction without permission is not permitted.

SUPPORT

GOT QUESTIONS?
CONTACT TECH SUPPORT
TechSupport@Qolsys.com



ASK **JENNI**
Qolsys

This device complies with part 15 of the FCC Rules. Operation is subject to the following two conditions: (1) This device may not cause harmful interference, and (2) this device must accept any interference received, including interference that may cause undesired operation. Changes or modifications not expressly approved by the party responsible for compliance could void the user's authority to operate the equipment.

This device complies with Industry Canada licence-exempt RSS standard(s). Operation is subject to the following two conditions: (1) this device may not cause interference, and (2) this device must accept any interference, including interference that may cause undesired operation of the device.

Cet appareil est conforme avec Industrie Canada exempts de licence standard RSS (s). Son fonctionnement est soumis aux deux conditions suivantes: (1) cet appareil ne doit pas provoquer d'interférences et (2) cet appareil doit accepter toute interférence, y compris celles pouvant causer un mauvais fonctionnement de l'appareil.